

OPTION FOR TISSUE-COVERED WING:
OMIT FORWARD DIAGONAL RIB AND
MOVE FALSE RIB HERE

1/16" PLY BRACES, TOP
& BOTTOM (TYP.)

1/16 x 1/8" HARD

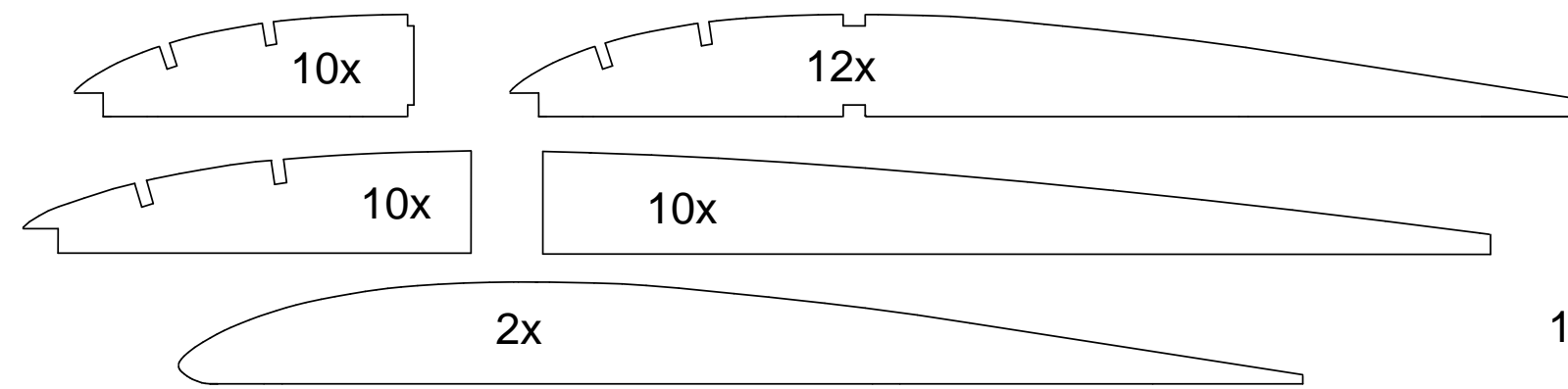
1/16" VERT. GRAIN (TYP.)

1/8 x 3/16"
MEDIUM

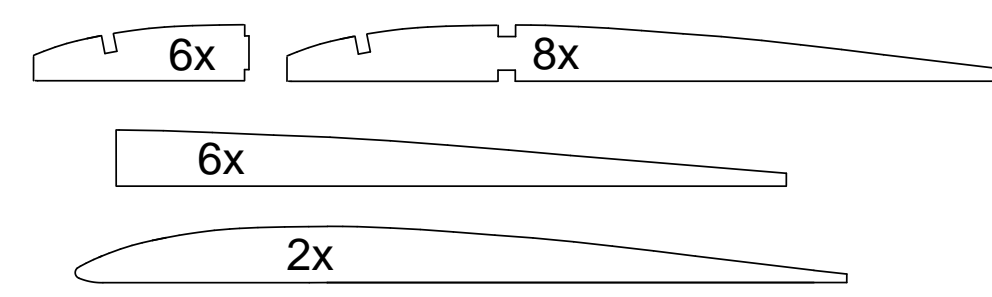
BLOCK UP 3/32" HERE FOR WASH-IN
(DURING CONSTRUCTION)

Lend Your Weight...
nffs
www.freeflight.org

Aw = 207 SQ. IN. (FLAT) 202 (PROJ.)

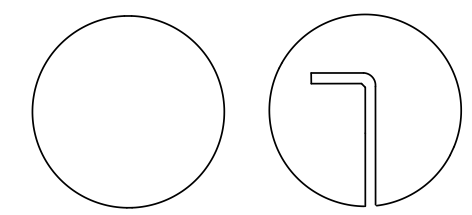
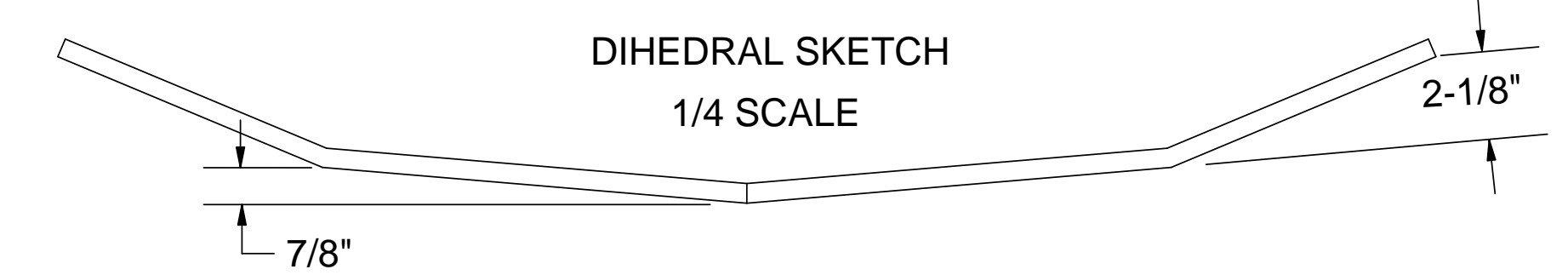


ALL RIBS:
1/16" LIGHT



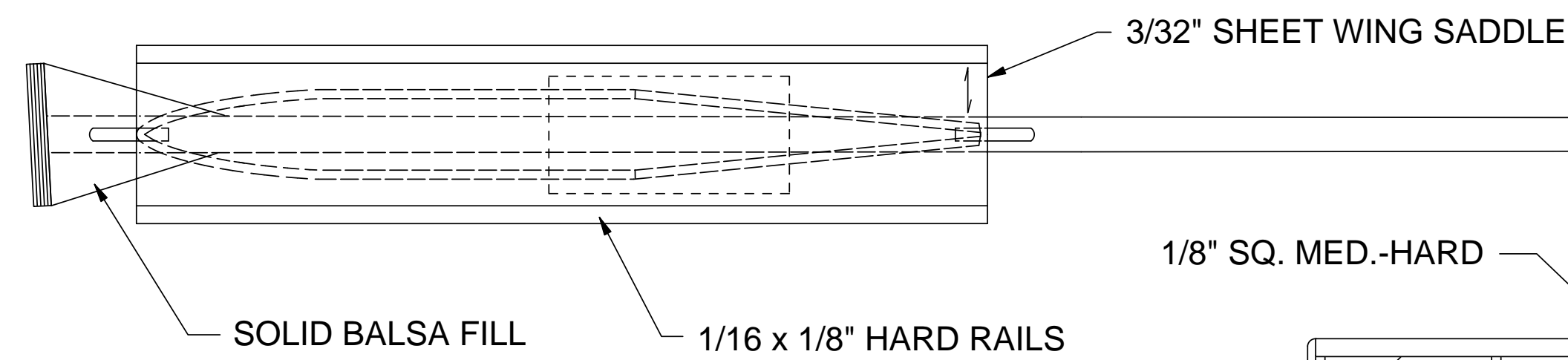
DIHEDRAL BRACES
1/16" PLY

RECOMMENDED COVERING: 1/3- or 1/2-MIL MYLAR



1/16" PLY

THRUST OFFSETS:
3° LEFT, 0° DOWN



1/8" SQ. MED.-HARD

1/16" VERT. GRAIN (TYP.)

1/16" GUSSETS (TYP.)

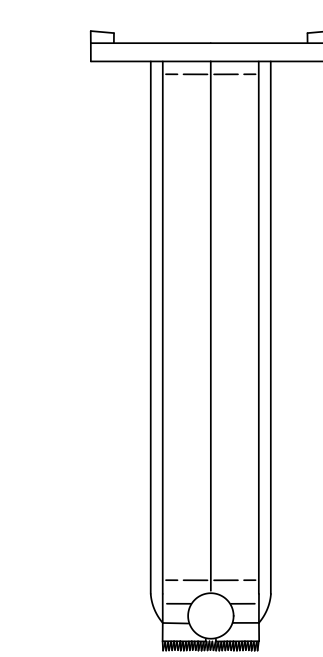
1/16 x 3/32"

1/16" O.D. ALUM.
LINE GUIDE

ALL MATERIAL IS 4-6 LB./CU. FT. Balsa
UNLESS OTHERWISE NOTED

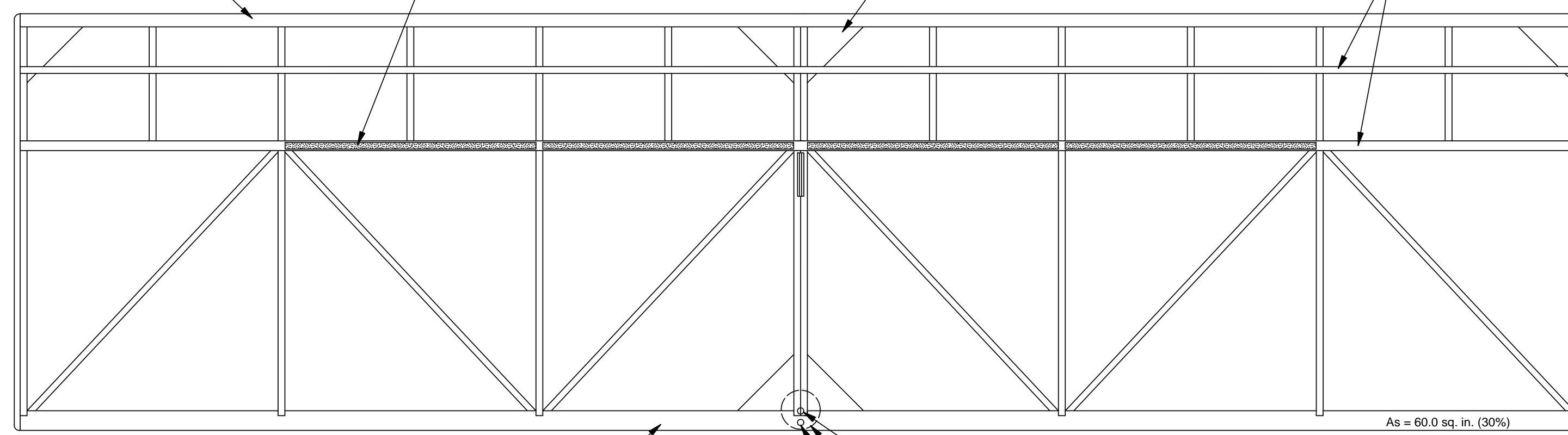
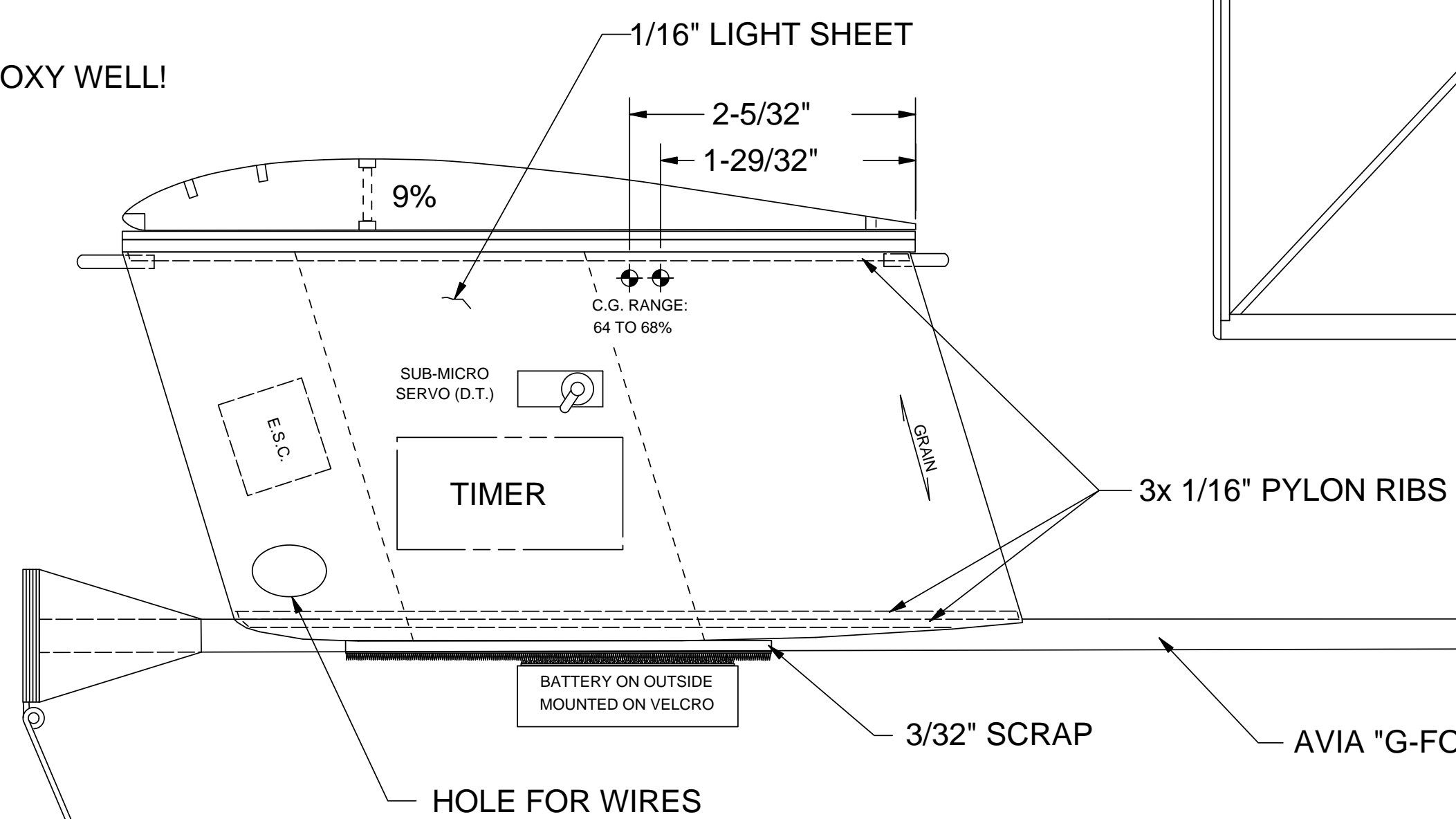
Laser-cut kits of this design are available.
Visit www.PearlFreeFlight.com for ordering info,
and for more information on building and flying.

DOWEL FIREWALL IN AND EPOXY WELL!



PYLON/SADDLE
CUTAWAY

.047" WIRE SKID

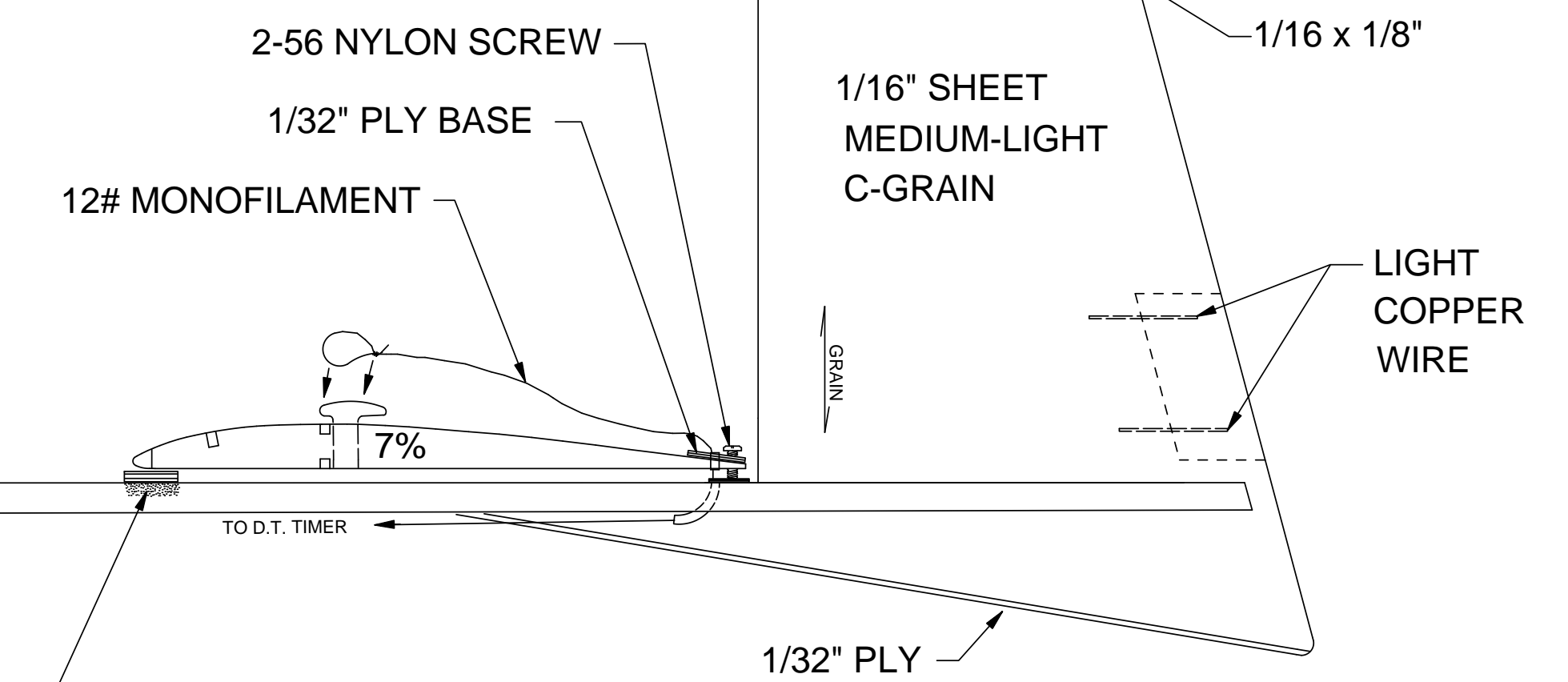


1/16 x 3/16" MEDIUM

1/16" O.D. ALUM TUBING

1/32" PLY BASE, AFFIX AFTER COVERING

TAP FOR 2-56



2-56 NYLON SCREW

1/32" PLY BASE

12# MONOFILAMENT

1/16" SHEET
MEDIUM-LIGHT
C-GRAIN

LIGHT
COPPER
WIRE

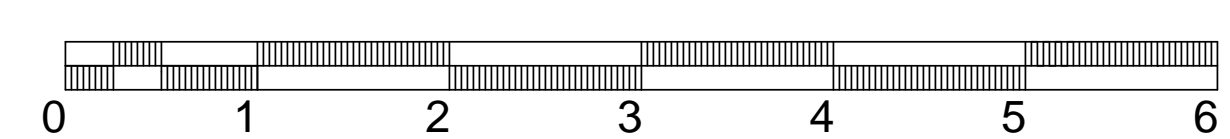
TO D.T. TIMER

1/32" PLY

MOTOR: 1806N (2500 KV) FROM WWW.TEXASTIMERS.COM
BATTERY: THUNDER POWER G6 325 mAh, 7.4 V (2S), 65C FROM WWW.RCLIPOS.COM
SPEED CONTROL: HOBBYKING "BLUE SERIES" 12A BEC, FROM WWW.HOBBYKING.COM
PROP: GRAUPNER 7.5X4 FOLDER & HUB FROM WWW.TEXASTIMERS.COM
TIMER: FROM WWW.STARLINK-FLITETECH.COM OR WWW.TEXASTIMERS.COM

MICROBALLON, CA FILLET

SCALE IN INCHES



SECURE MOTOR WITH #1 OR #2 X 1/4"
PAN HEAD WOOD SCREWS

LOCATE PYLON LAST TO ACHIEVE 64% C.G.
WITH 1 GRAM OF CLAY ON TAIL (IMPORTANT!)

Super Pearl 202-E

By Don DeLoach - August, 2011

Outrunner motor and 2-cell Li-Poly
Wing Span: 33-3/4" projected